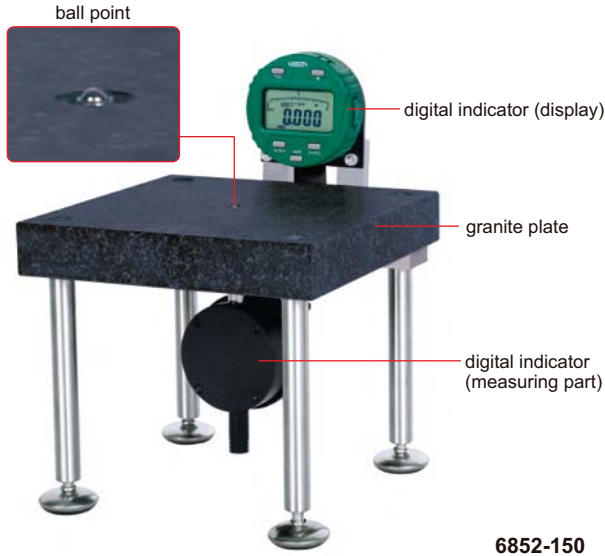


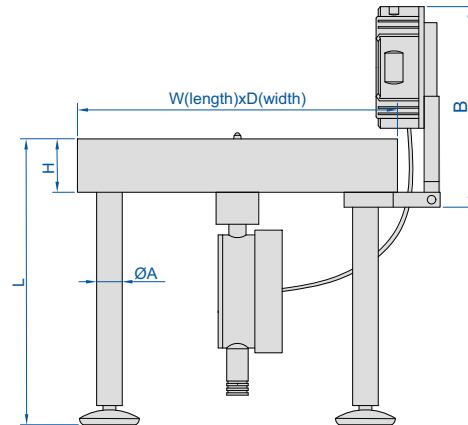
FLATNESS MEASUREMENT STANDS

GRANITE PLATE CAN BE CUSTOMIZED ACCORDING TO WORKPIECES

DATA OUTPUT



6852-150



- Digital indicator resolution: 0.001mm/0.00005"
- Optional accessory: data output cable (code 7315-50M, 7302-40M, 7305-40M)

(mm)

Code	Flatness measurement accuracy	Flatness of granite plate	W	D	H	L	A	B	Remark
6852-150	2µm	2µm	150	150	25	135	12	100	non-waterproof digital indicator
6852-300	2µm	2µm	300	300	50	210	20	135	non-waterproof digital indicator
6852-300WP	2µm	2µm	300	300	50	210	20	135	IP65 waterproof digital indicator